

## APPENDIX B

### SUB-DIVISION ROAD CLASSIFICATIONS

#### **Class “A” Road**

This roadway is applicable for through township/local roads or when a roadway has high potential to be bituminous surfaced.

8-foot graded top width

4:1 inslopes

3-foot ditch separation

6-foot ditch bottom

4:1 backslopes

4-inch aggregate surface @ 1,825 cubic yards per mile

#### **Class “B” Road**

This roadway is applicable for recreational or general development lakes or larger sub-divisions.

24-foot graded top width

3:1 inslopes

2-foot ditch separation

4-foot ditch bottom

3:1 backslopes

3-inch aggregate surface @ 1,170 cubic yards per mile

#### **Class “C” Road**

This roadway is applicable for access to Natural Environmental Lakes or small sub-divisions that are not immediately adjacent to other sub-divisions or are connected by another roadway.

20-foot graded width

3:1 inslopes

2-foot ditch separation

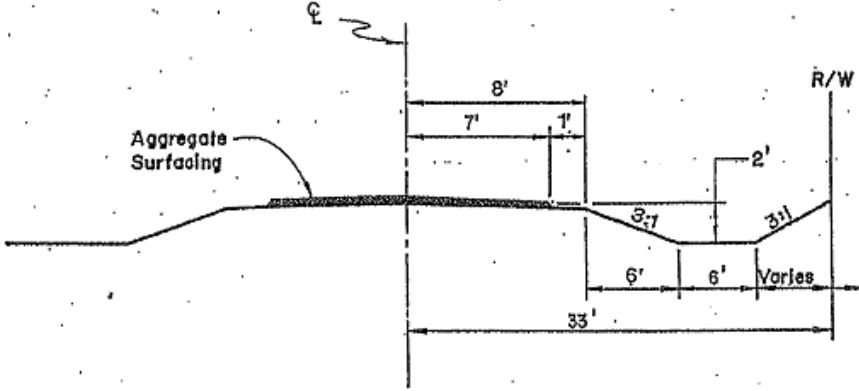
4-foot ditch bottom

2:1 backslopes

3-inch aggregate surface @ 980 cubic yards per mile

Following pages contain Typical Sections of roadways.

IMPROVED ROADWAY  
TYPICAL SECTION



NEW SUB-DIVISION ROADS

NEW SUBDIVISION ROADS

